

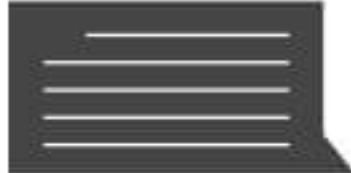








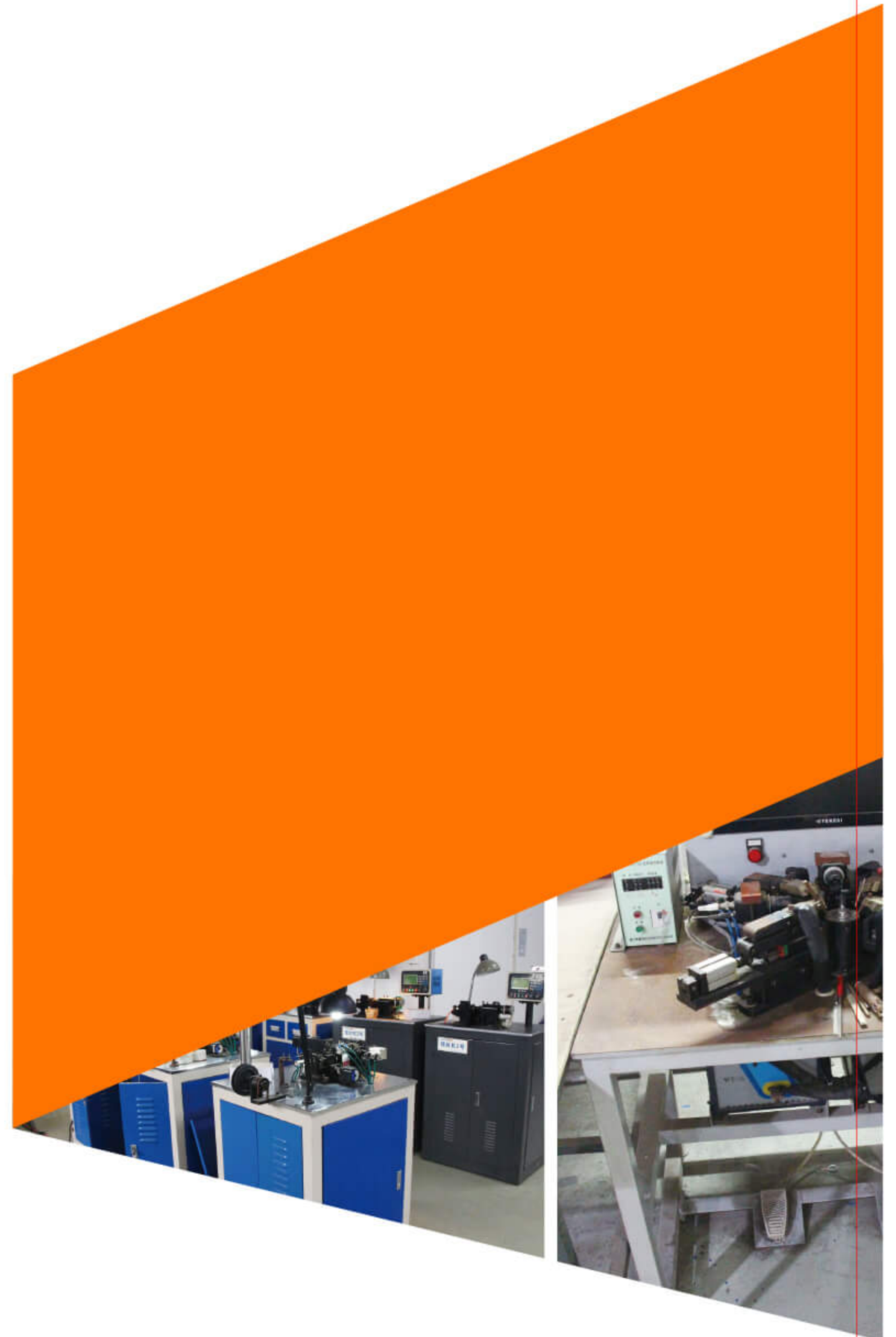
<http://www.prosenselight.com>

Let There Be Light!

Lighting Electric
Catalog

Table of contents

 Introduction	2
 Truck & Car Bulb	5/14
 Motorcycle Bulb	15/20
 Auxiliary Bulb	21
 HID Lights	22
 LED Lights	23/27
 Lamps & Lanterns	28



Company Profile

Prosense Industrial Corporation Limited, which was established in 1999, is a company specializing in the R & D, production and distribution of vehicle lighting and electric products. Our company has been providing the best quality products and services in the original and aftermarket for many years.

The market trend of lighting electric industry is to get unmatched safety and economy through streamlined design, broader vision and longer life span. At the forefront of lighting electric industry, with ISO, E-MARK, CE, RoHS and other quality certification standards, our company is dedicated to create stronger shock resistance and higher lumen products for the market.

We are committed to establish good brand image by improving products & service quality to achieve our business commitment:

Let There Be Light!





H1 H4 H7 HB3 HB1 HB5 H15

Low Beam-High Beam-Additional High Beam




H3 H3C H8 H11 P19W 880 881

Front Fog Lights




S25 T20 T10 T10 LED

Front Indicators



Dome Light Festoon Light

Interior Lights

T10 T13 T15

Side Indicators



W3W W5W W16W W16W T10 LED

Dashboard Lights



W3W W5W W10W

Trunk Light



W3W T10 LED

3Rd Stop Light



W3W W5W W10W W16W W21/5W

Front Position/Parking Lights



T10 T13 T15 T20

Glove Compartment Lights




3157 P21/5W T20

Stop Lights



S25 T20 T8.5

Rear Indicators



T8.5 C5W T10 T13 T15

License Plate Lights



P21W W21W W16W

Reversing Lights



P21W W21W 3156

Rear Fog Lights



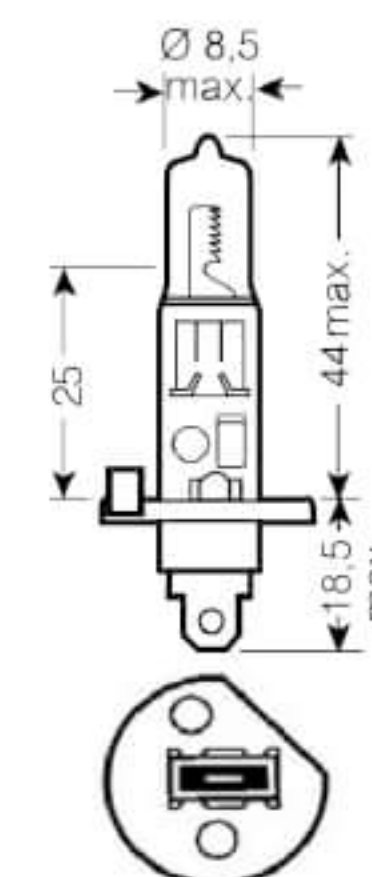
S25 T20 T8.5

Rear Position/Parking Lights


H₁

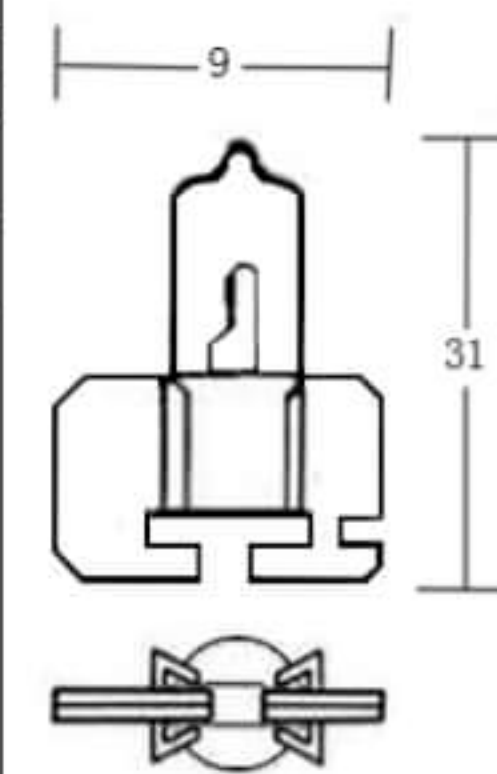
Car	Volts	Watts	Base	Certificate
	12	55	P14.5s	E4/CE/RoHS
	12	100	P14.5s	CE/RoHS
	24	70	P14.5s	CE/RoHS
	24	100	P14.5s	CE/RoHS

- Available: Clear, Super White, Golden and Xenon Super white.
- Applicable models: High Beam of Shanghai Volkswagen Series, Shanghai GM series, Dongfeng Peugeot Series.

H₂

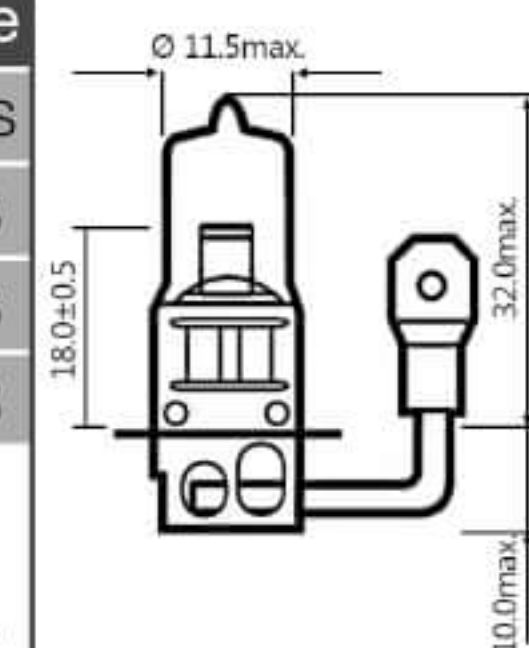
Car	Volts	Watts	Base	Certificate
	12	55	X511	CE/RoHS
	24	70	X511	CE/RoHS

- Available: Clear, Super White, Golden and Xenon Super white.
- Applicable models: Headlight of Accord 03.

H₃

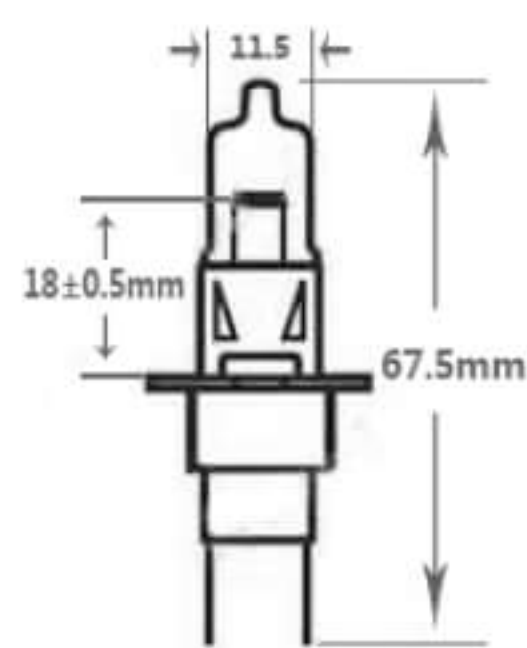
Car	Volts	Watts	Base	Certificate
	12	55	PK22s	E4/CE/RoHS
	12	100	PK22s	CE/RoHS
	24	70	PK22s	CE/RoHS
	24	100	PK22s	CE/RoHS

- Available: Clear, Super White, Golden and Xenon Super white.
- Applicable models: The Fog Bulb of Beijing Benz, Chery, Geely, etc.



Golden eyes All the way through rain and fog

H3c

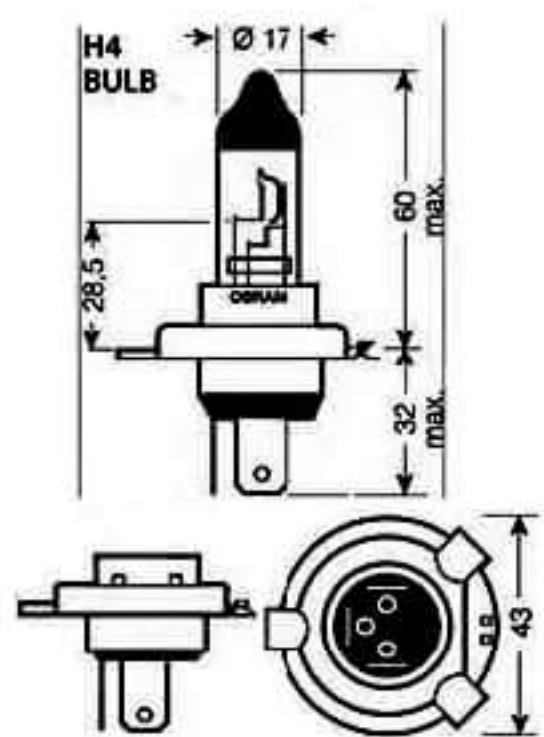


Car	Volts	Watts	Base	Certificate
	12	55	PK22d	CE/RoHS
	24	70	PK22d	CE/RoHS

- Available: Clear, Super White, Golden and Xenon Super white.
- Applicable models: The Fog Light of Racing and Japanese Cars.



H4 Schott Glass Bulb



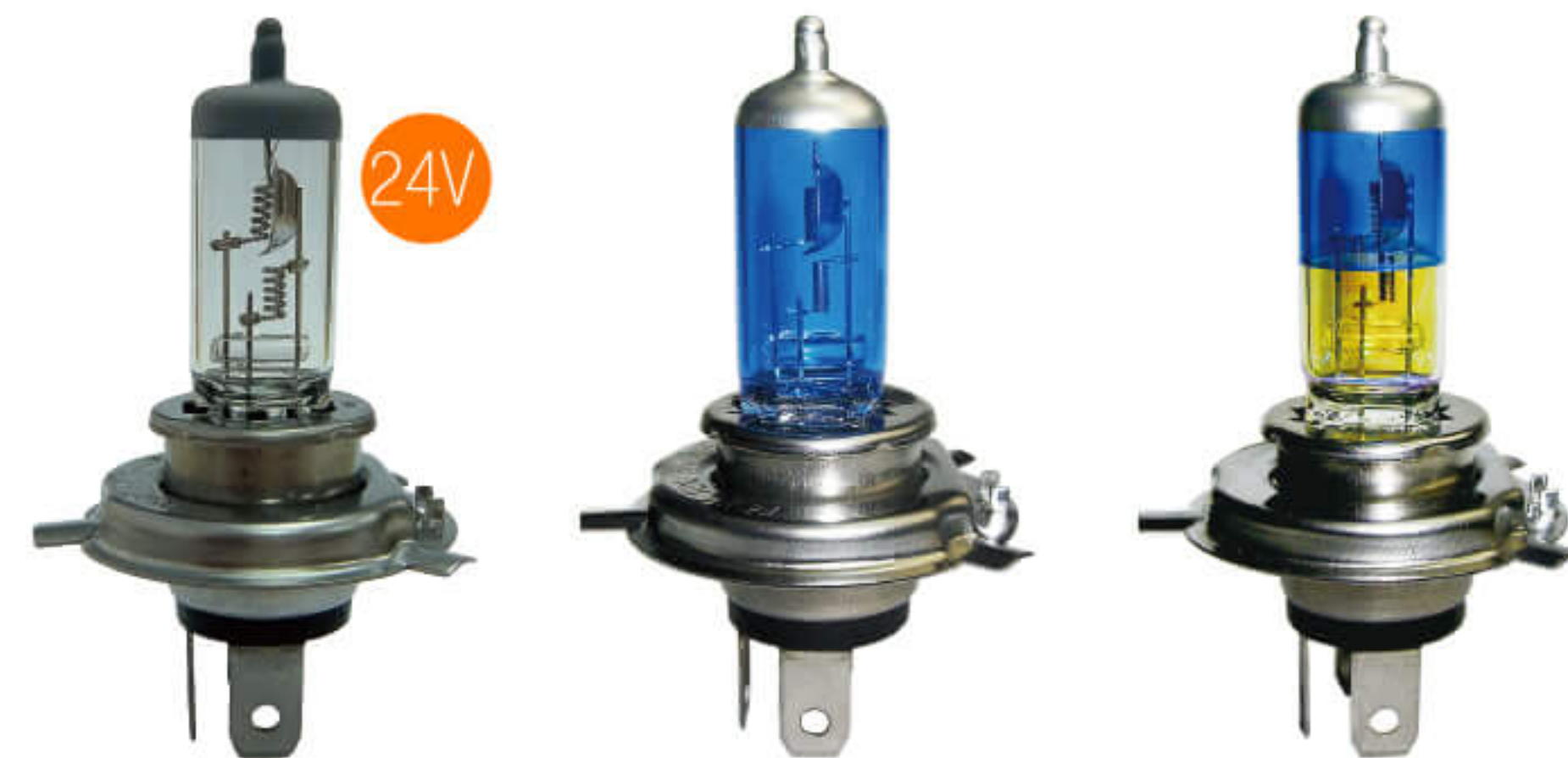
Car	Volts	Watts	Base	Certificate
	12	60/55	P43t	E4/CE/RoHS
	12	100/90	P43t	CE/RoHS
	24	75/70	P43t	CE/RoHS
	24	100/90	P43t	CE/RoHS

- Available: Clear, Super White, Golden and Xenon Super white.
- Applicable models: The Headlight of Nissan, Suzuki, Beijing Hyundai, Kia Cars.

Features:

- Adopted German Schott glass, enhanced lumen.
- Original equipment, quality trustworthy.

- Available: Clear, Super White, Half blue and half golden.



H4 P43t

<Clear>



<Super White>



<Colorful>

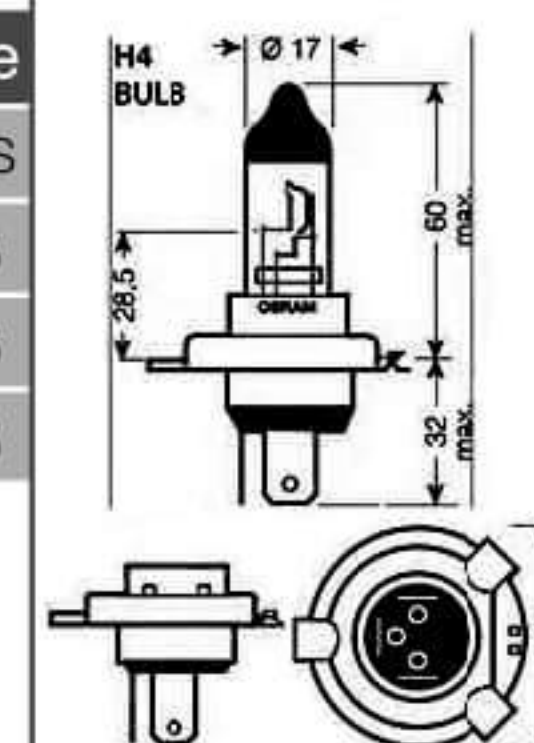


<HOD>

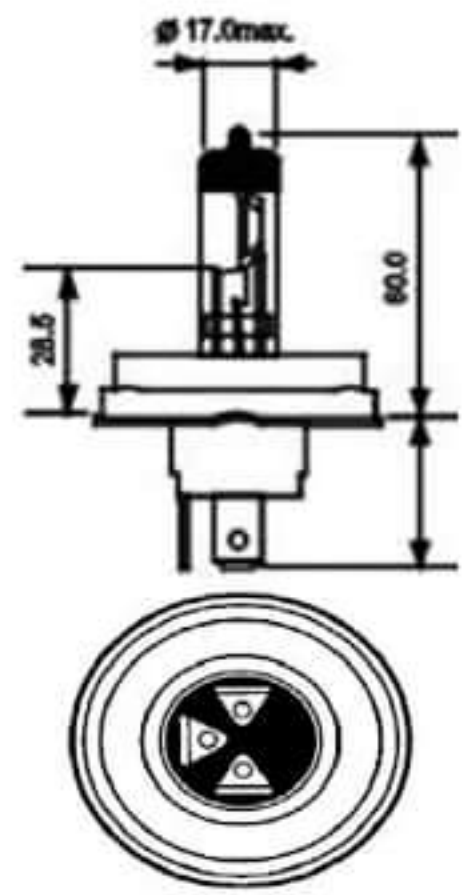


Car	Volts	Watts	Base	Certificate
	12	60/55	P43t	E4/CE/RoHS
	12	100/90	P43t	CE/RoHS
	24	75/70	P43t	CE/RoHS
	24	100/90	P43t	CE/RoHS

- Available: Clear, Super White, Golden and Xenon Super white.
- Applicable models: The Headlight of Nissan, Suzuki, Beijing Hyundai, Kia Cars.



H4 P45t



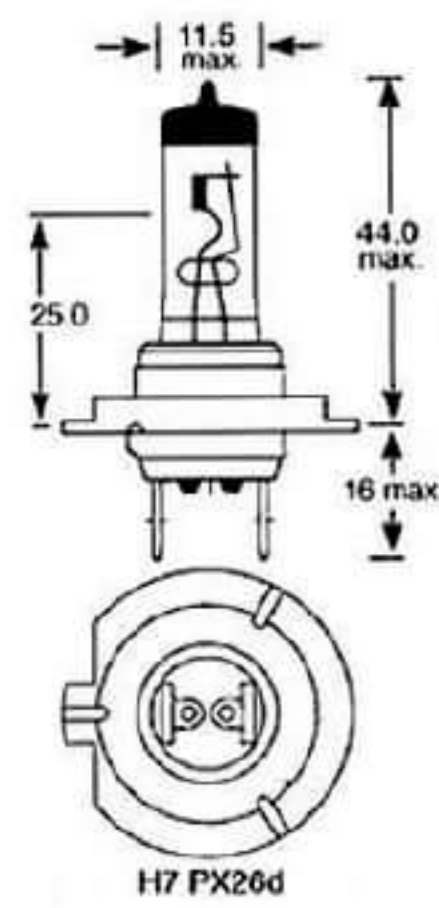
Car	Volts	Watts	Base	Certificate
	12	60/55	P45t	CE/RoHS
	12	100/90	P45t	CE/RoHS
	24	75/70	P45t	CE/RoHS
	24	100/90	P45t	CE/RoHS

- Available: Clear super white and xenon series.
- Applicable models: Mineral car special bulb.



H7

<Clear>



Car	Volts	Watts	Base	Certificate
	12	55	PX26d	E4/CE/RoHS
	12	100	PX26d	CE/RoHS
	24	75	PX26d	CE/RoHS
	24	100	PX26d	CE/RoHS

- Available: Clear super white and Golden.
- Applicable models: The headlight of the new Volkswagen Series, Mercedes-Benz, BMW, Dongfeng series.



<Super White>



<Colorful>



<HOD>

**Features:**

1. 3~4 times life span longer than the traditional Bulb.
2. Increasing 80% brightness.
3. Increasing the irradiation distance,improving the safety factor and installing easily.

Available: Clear, super white and Golden.

Applicable models: The Headlight of Long-haul trucks, long-distance buses, city buses, etc.

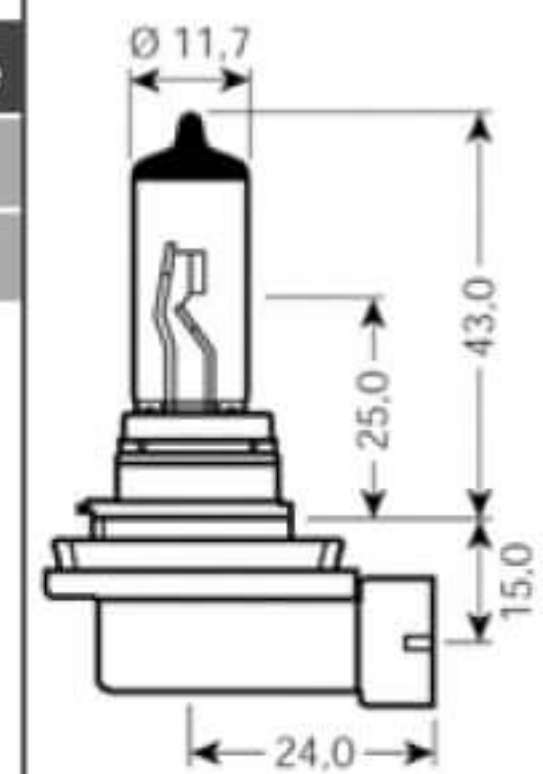
H8



Car	Volts	Watts	Base	Certificate
	12	35	PGJ19-1	CE/RoHS
	24	100	PGJ19-1	CE/RoHS

Available: Clear, super white and Golden.

Applicable models: The Front fog lights of Fox, Li Wei, Tiida, Teana.



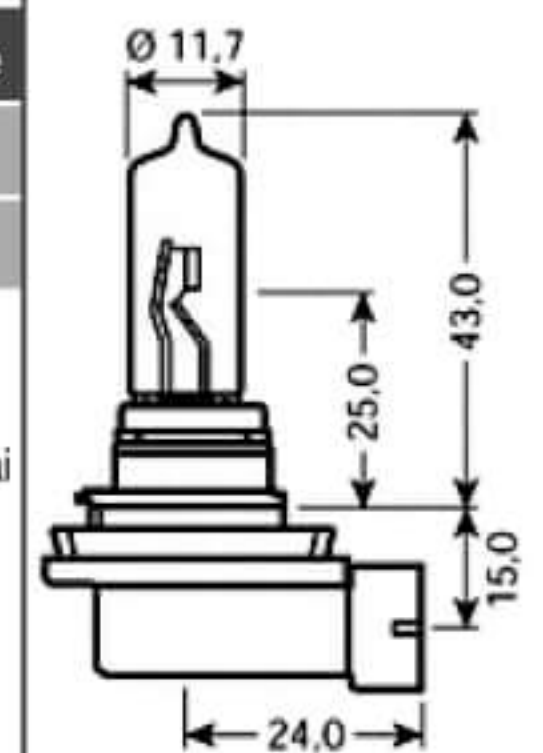
H9



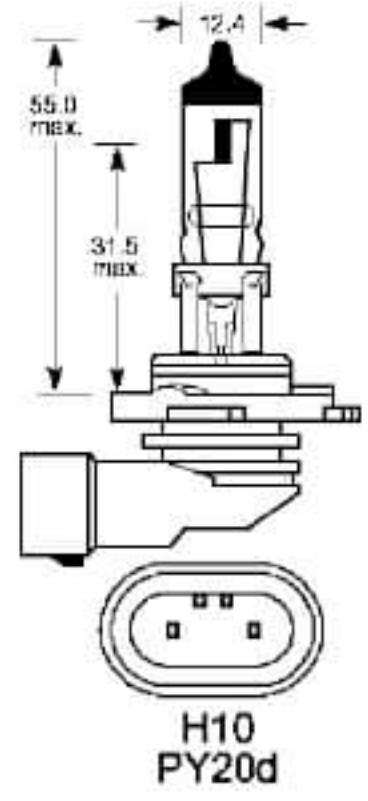
Car	Volts	Watts	Base	Certificate
	12	65	PGJ19-5	CE/RoHS
	12	100	PGJ19-5	CE/RoHS

Available: Clear, super white and Golden.

Applicable models: The headlight of the new BMW X5, Shanghai Roewe and Mitsubishi Grandis.



H10

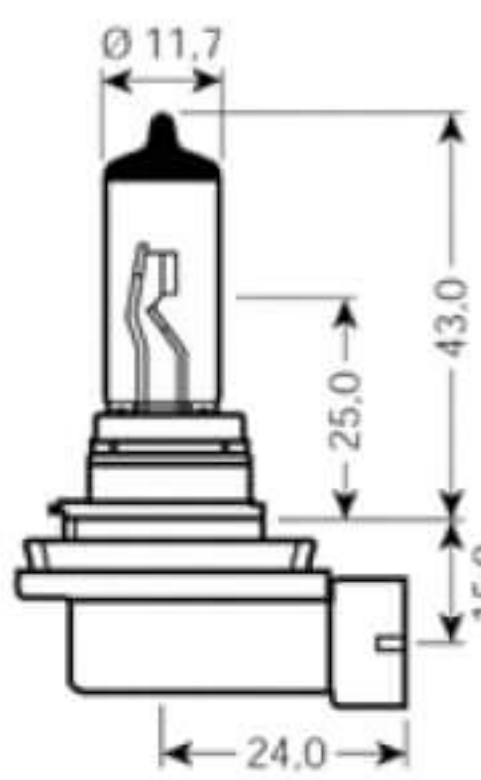


Car	Volts	Watts	Base	Certificate
	12	42	PY20d	CE/RoHS
	12	100	PY20d	CE/RoHS

- Available: Clear, super white and Golden.
- Applicable models: Jeep Wrangler, Teana 06.

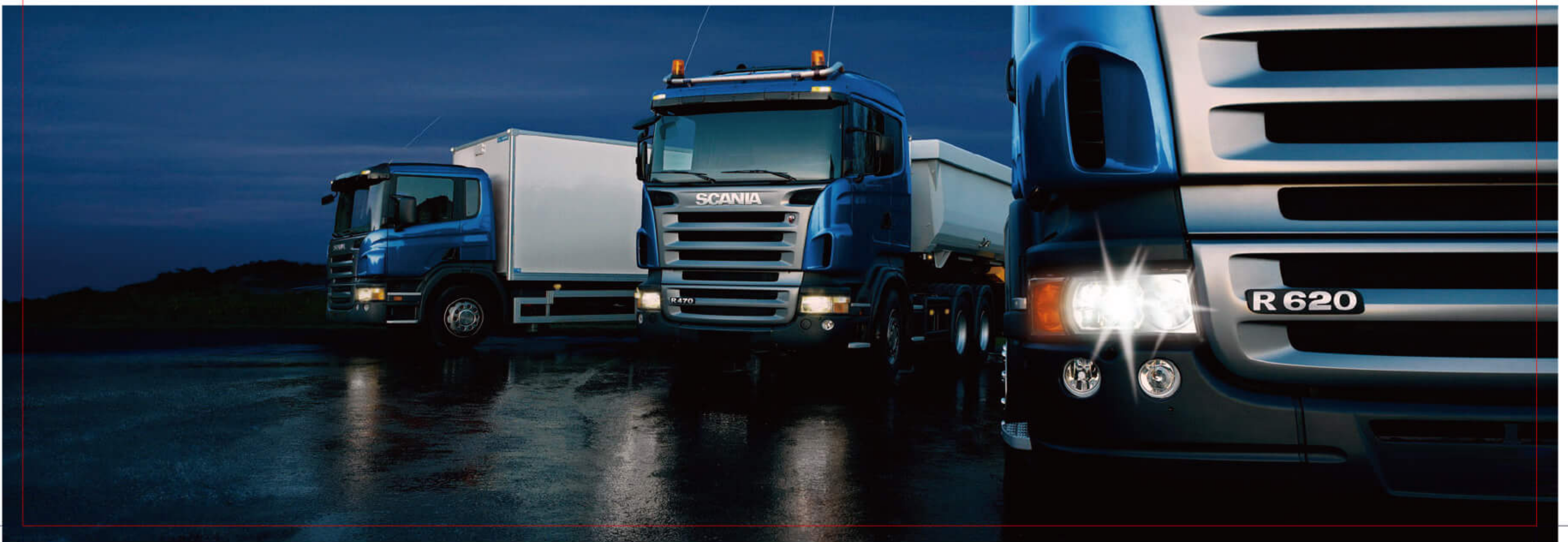


H11




Car	Volts	Watts	Base	Certificate
	12	55	PGJ19-2	E4/CE/RoHS
	12	100	PGJ19-2	CE/RoHS
	24	70	PGJ19-2	CE/RoHS

- Available: Clear, super white and Golden.
- Applicable models: The fog lights of Passat ,Japanese car series, etc.

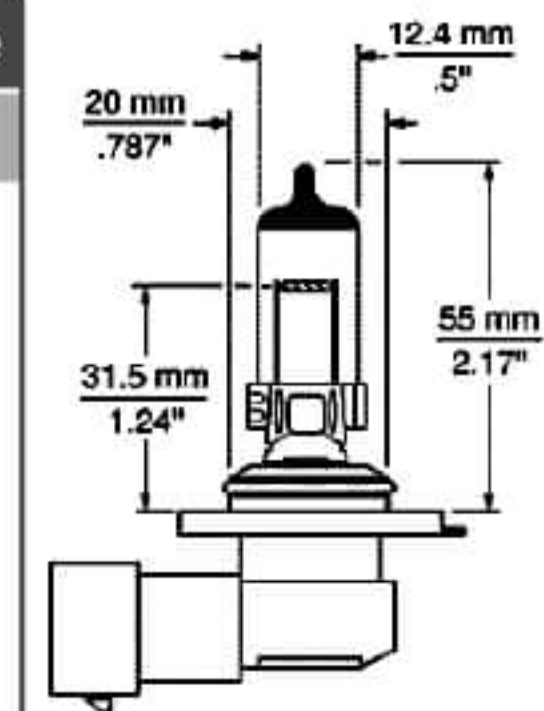


H12




Car	Volts	Watts	Base	Certificate
	12	53	PZ20d	CE/RoHS

- Available: Clear, super white and Golden.
- Applicable models: The Headlight of S2000, GS300, etc.

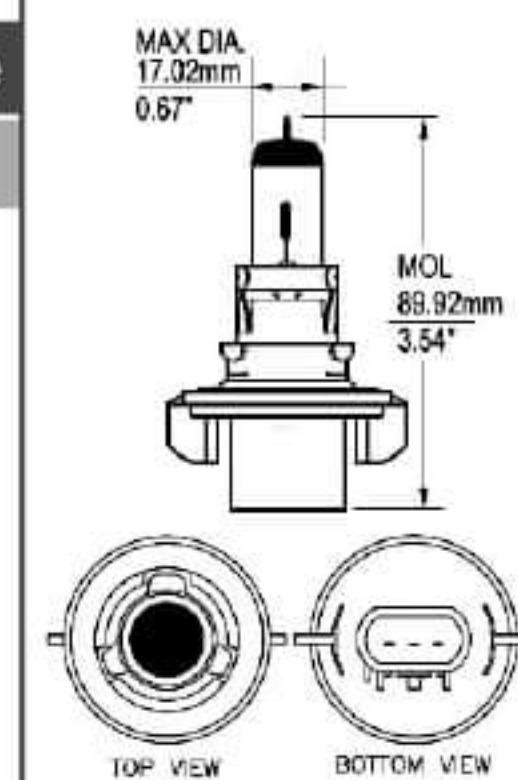


H13




Car	Volts	Watts	Base	Certificate
	12	60/55	P26.4t	CE/RoHS

- Available: Clear, super white and Golden.
- Applicable models: Porsche 911, Land Rover Freelander, discoverer, Lincoln, Navigator 07, etc.

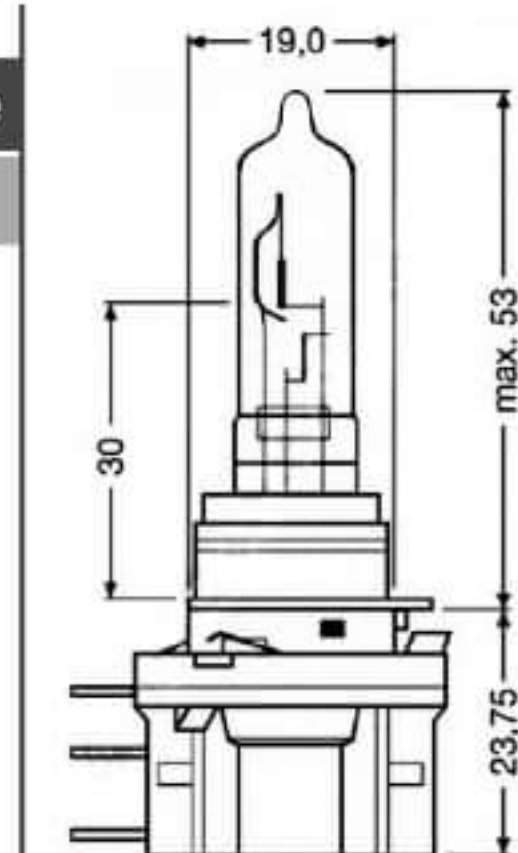


H15

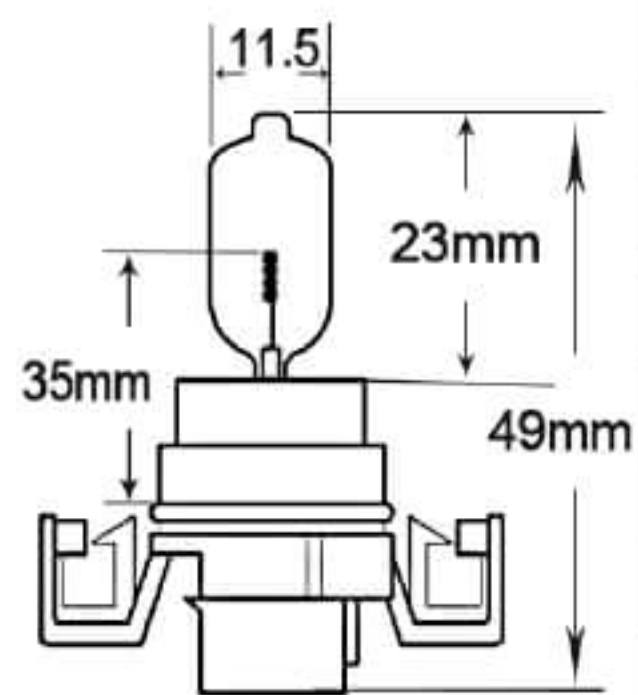


Car	Volts	Watts	Base	Certificate
	12	55/15	PGJ23t-1	CE/RoHS

- Available: Clear, super white and Golden.
- Applicable models: The headlight of Volkswagen Touareg, Volkswagen Touran, Infiniti, Golf 6, etc.



H16(P19w / P24w)

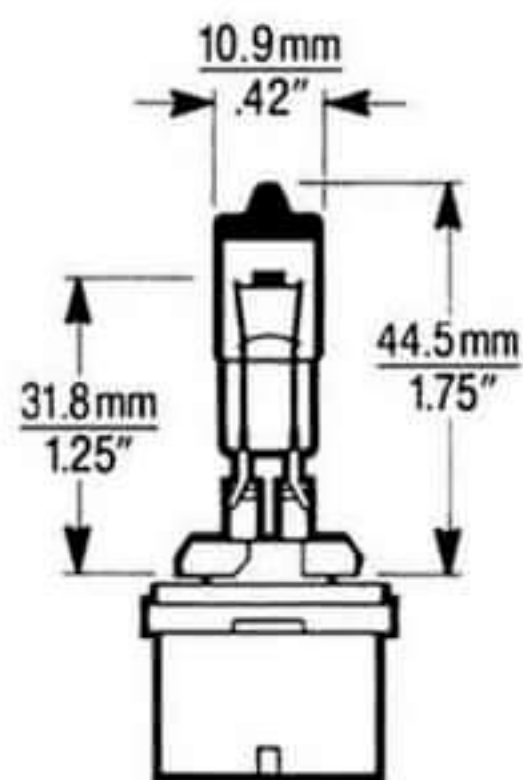


Car	Volts	Watts	Base	Certificate
	12	19	PJU20-1	CE/RoHS
	12	24	PJU20-1	CE/RoHS
	12	19	PG20-1	CE/RoHS
	12	24	PG20-1	CE/RoHS
	12	19	PGJ19-3	CE/RoHS
	12	24	PGJ19-3	CE/RoHS

- Available: Clear, super white and Golden.
- Applicable models: The fog lights of Suzuki Big Dipper, the new Bora, Captiva, cool Granville, Wrangler, etc.



880

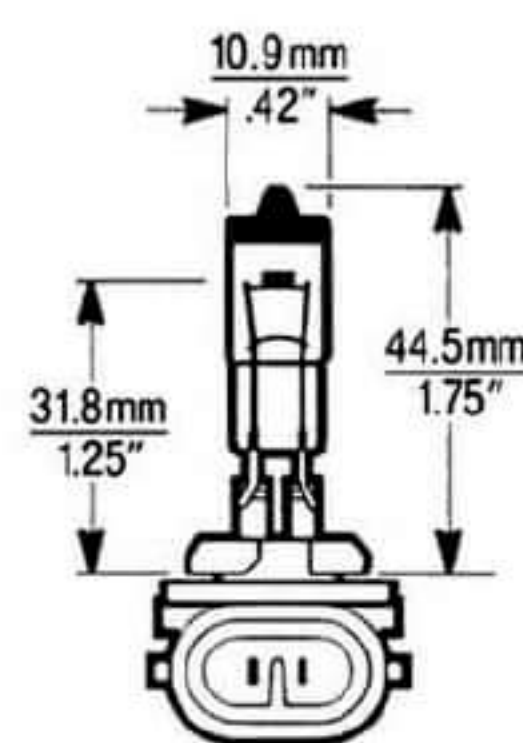


Car	Volts	Watts	Base	Certificate
	12	27	PG13	RoHS
	12	37	PG13	RoHS

- Available: Clear, super white and Golden.
- Applicable models: The fog lights of beijing hyundai, kia, buick, etc.



881



Car	Volts	Watts	Base	Certificate
	12	27	PGJ13	RoHS
	12	37	PGJ13	RoHS

- Available: Clear, super white and Golden.
- Applicable models: The fog lights of beijing hyundai, etc.

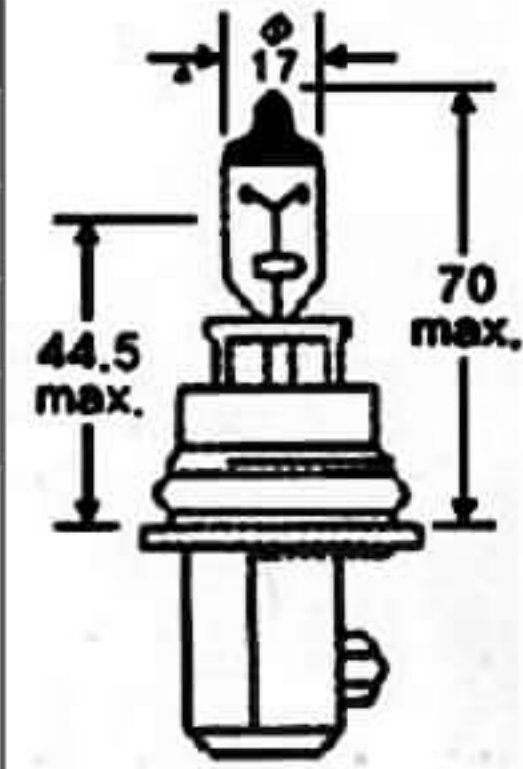


9004(HB1) / 9007(HB5)



Car	Volts	Watts	Base	Certificate
	12	65/45	P29T	RoHS
	12	100/80	P29T	RoHS
	12	65/55	PX29T	RoHS
	12	100/80	PX29T	RoHS

- Available: Clear, super white and Golden.
- Applicable models: (9004) the headlight of Mitsubishi V6 (USA), Toyota Previa (USA), Ford, Dodge; (9007) the headlight of Subaru, Audi, Plymouth, Saab, Hummer, etc.

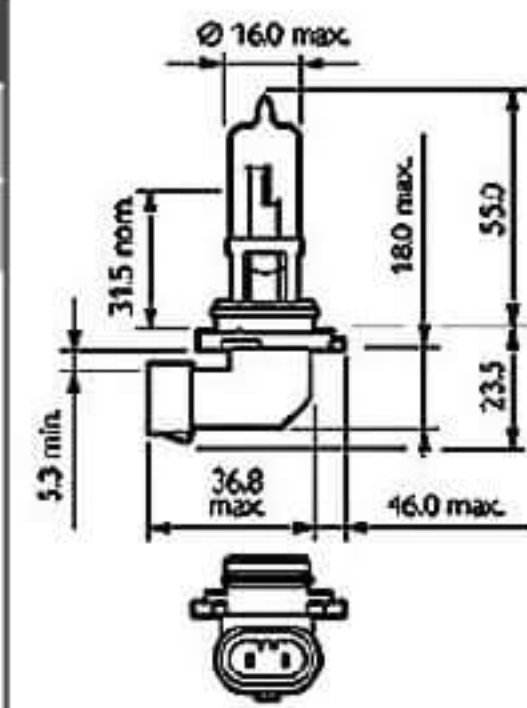


9005(HB3)



Car	Volts	Watts	Base	Certificate
	12	65	P20d	RoHS
	12	100	P20d	RoHS

- Available: Clear, super white and Golden.
- Applicable models: The high beam of Japanese cars, Cadillac, etc.

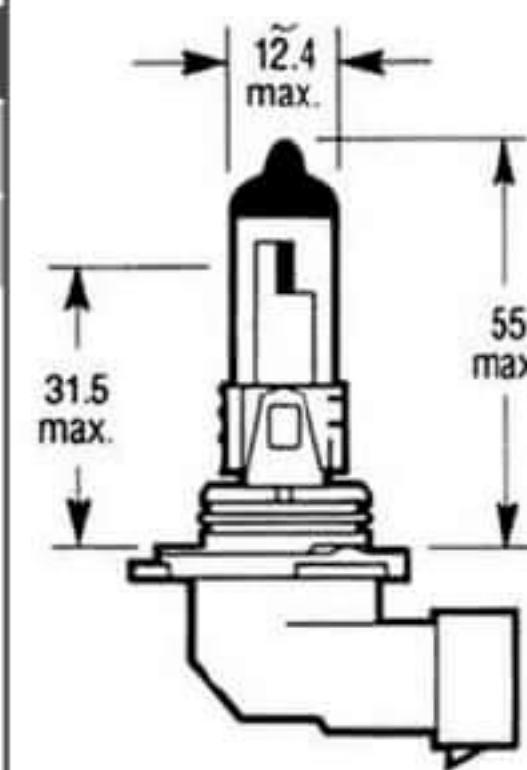


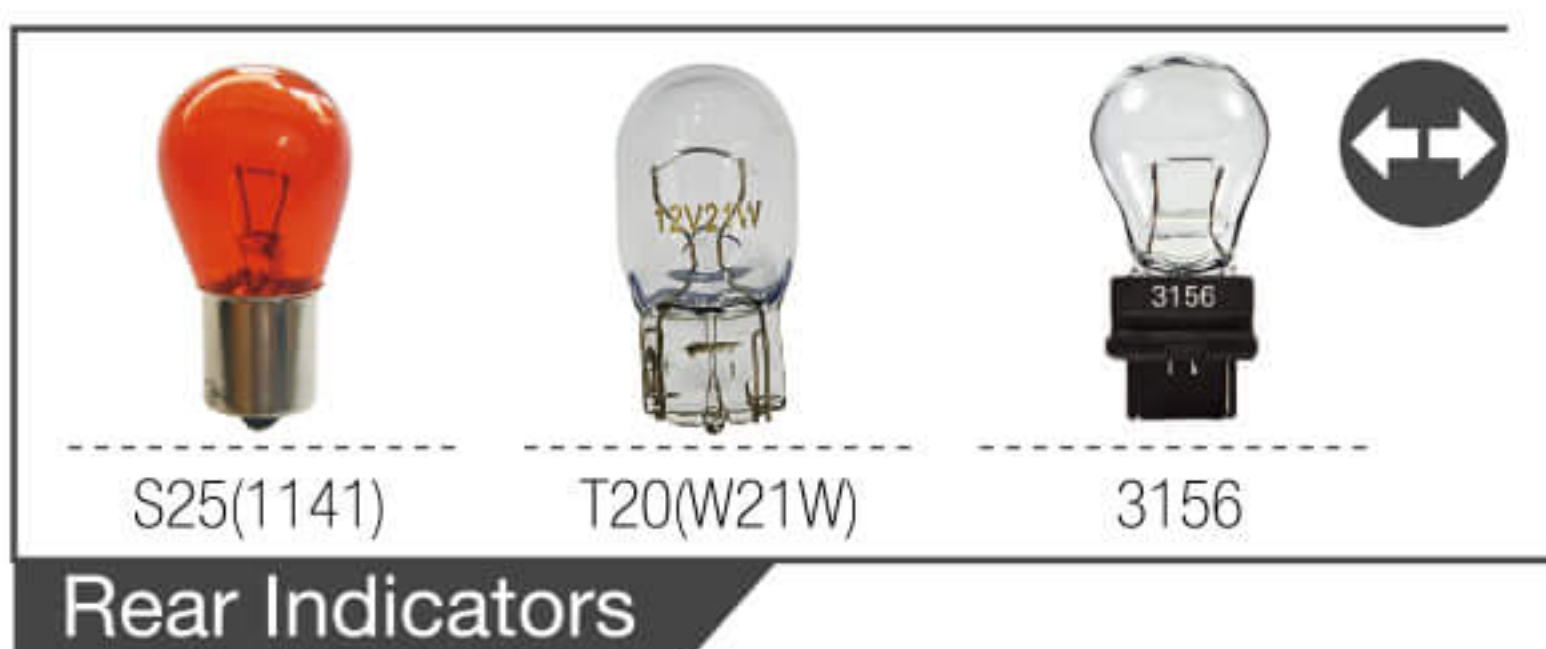
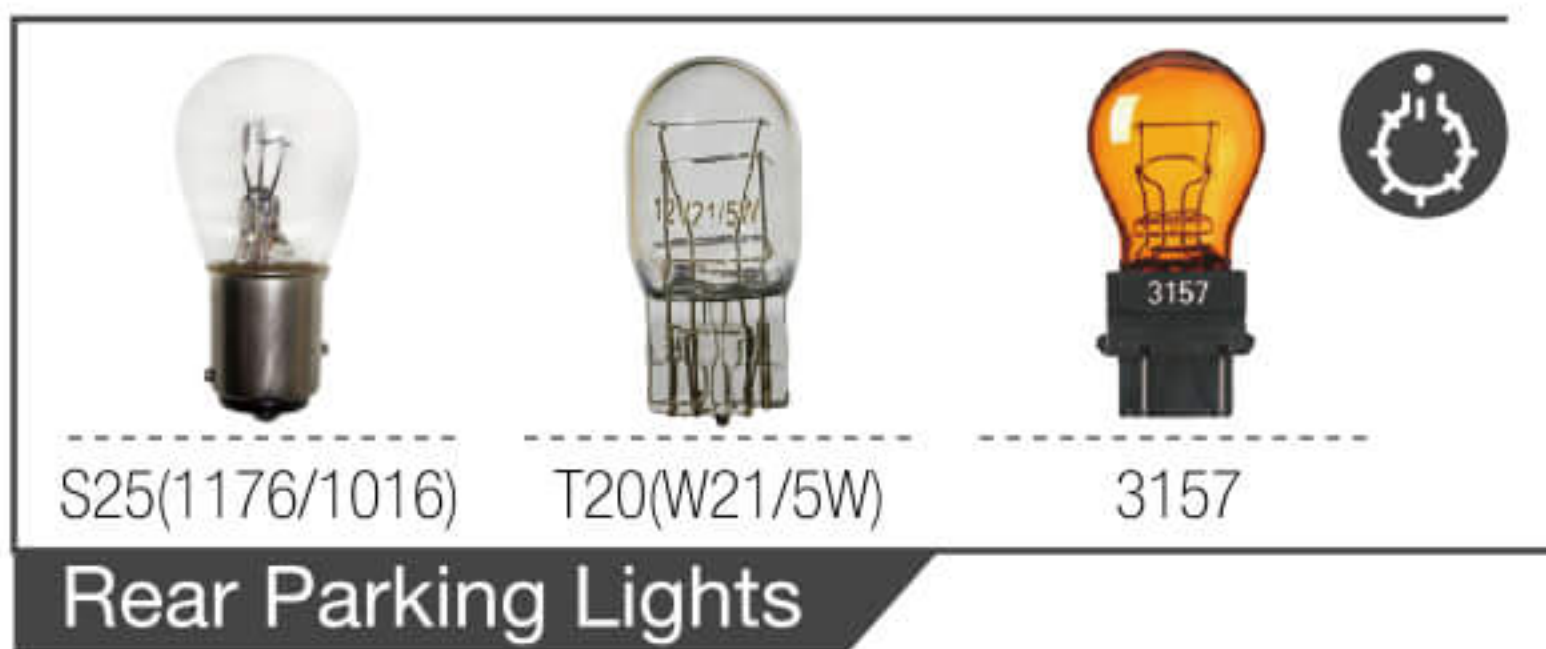
9006(HB4)



Car	Volts	Watts	Base	Certificate
	12	55	P22d	RoHS
	12	100	P22d	RoHS

- Available: Clear, super white and Golden.
- Applicable models: The low beam of Japanese cars, Buick Cadillac, etc.





P15D-25-1

Motorcycle Bulb



PS
001



PS
002



PS
003



PS
004



PS
005



PS
006



PS
007



PS
008



PS
009



PS
010



PS
011



PS
012





PS 013



PS 014



PS 015



PS 016



PS 017



PS 018



PS 019



PS 020



PS 021



PS 022



PS 023



PS 024

Volts	Watts	Base	Certificate
12	18/18	P15D-25-1	CE/RoHS
12	25/25	P15D-25-1	CE/RoHS
24	35/35	P15D-25-1	CE/RoHS

Available: Clear, Golden and Super White.

Applicable models: The headlight of Scooter Moped ATV
 50cc/70cc/90cc/110cc/125cc/150cc, motor van, etc.



PS 025



PS 026



PS 027



PS 028

BA20D



PS 029



PS 030



PS 031



PS 032

Volts	Watts	Base	Certificate
12	18/18	BA20D	CE/RoHS
12	25/25	BA20D	CE/RoHS
12	35/35	BA20D	CE/RoHS
12	50/50	BA20D	CE/RoHS

► Available: Clear, Golden and Super White.

► Applicable models: The headlight of GY6 Scooter 150CC, Moped, ATV, Go Kart, etc.



PS 033



PS 034



PS 035



PS 036



PS 037



PS 038



PS 039



PS 040



PS 041



PS 042



PS 043



PS 044



PS 045



PS 046



PS 047



PS 048



PS 049



PS 050



PS 051



PS 052



PS 053



PS 054



PS 055



PS 056



PS 057



PS 058



PS 059



PS 060



PS 061



PS 062

P15D-25-3

Volts	Watts	Base	Certificate
12	18/18	P15D-25-3	CE/RoHS
12	25/25	P15D-25-3	CE/RoHS
24	35/35	P15D-25-3	CE/RoHS

- Available: Clear, Golden and Super White.
- Applicable models: The headlight of Scooter.



Schott Glass



Schott Glass



PS 063

PS 064

PS 065

PS 066

P15D-30

Volts	Watts	Base	Certificate
12	18/18	P15D-30	CE/RoHS
12	25/25	P15D-30	CE/RoHS
24	35/35	P15D-30	CE/RoHS

- Available: Clear, Golden and Super White.
- Applicable models: The headlight of Scooter.



PS 067

PS 068

PS 069

HS5

Volts	Watts	Base	Certificate
12	35/30	P23T	CE/RoHS

- Available: Clear, Golden and Super White.
- Applicable models: The headlight of HONDA PCX 125, HONDA PCX 150.



9014



HS5 Clear

Schott Glass



HS5 Blue

Schott Glass

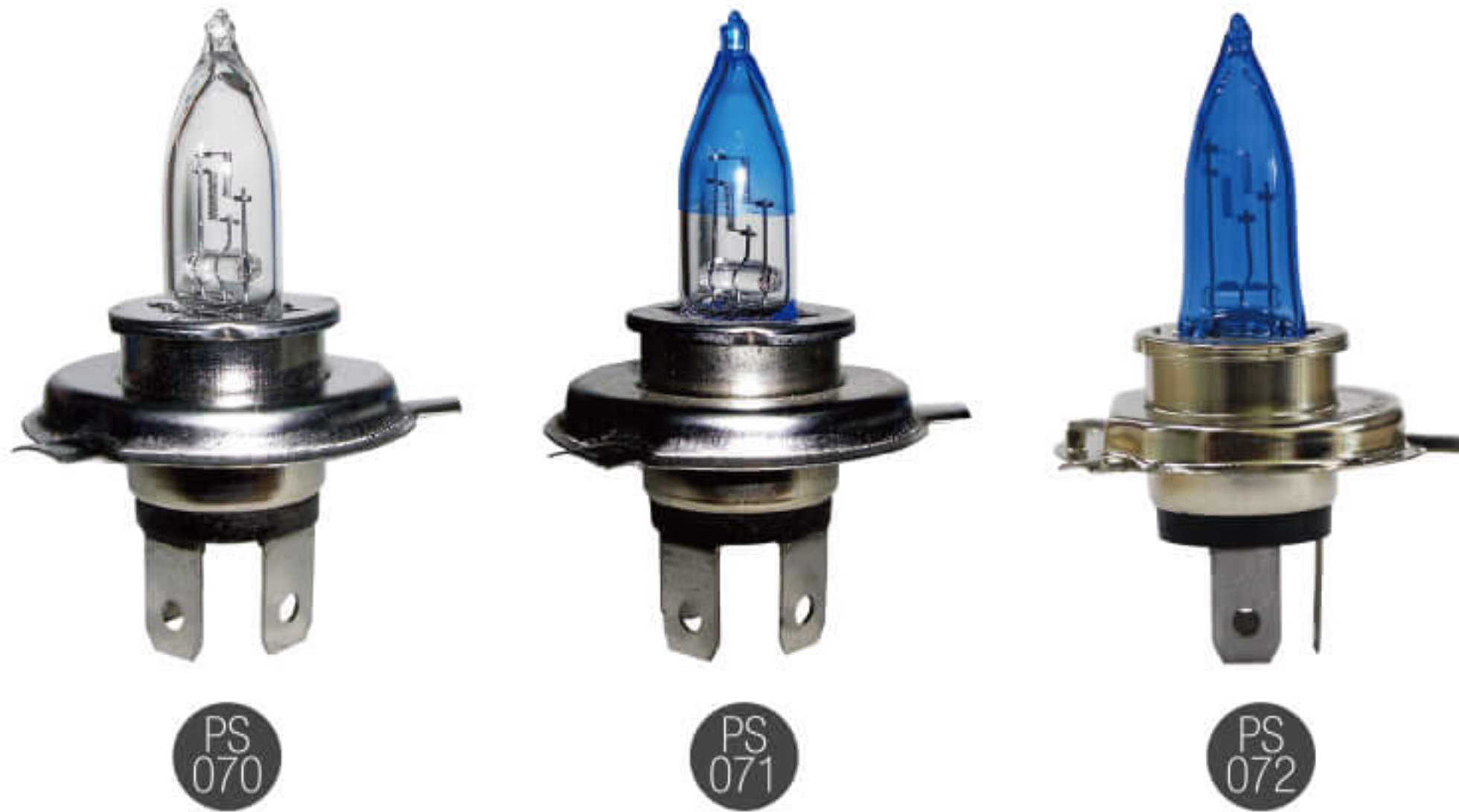


HS5 Golden

Schott Glass

P43T

P45T



PS 070

PS 071

PS 072



PS 073

PS 074

PS 075



PS 077

PS 078

PS 079



PS 080

PS 081

PS 082

Volts	Watts	Base	Certificate
12	35/35	PX43T	CE/RoHS
12	35/35	P43T	CE/RoHS
12	45/45	P43T	CE/RoHS

Available: Clear, Golden and Super White.

Applicable models: The headlight of Yamaha Vino 50 2T 2001-2005, Bajaj Chetak (all model years), SYM Mio (all model years), Vespa PX150, Genuine Buddy 50, 125 & 150 for model after years 2007, etc.



PS 076

Volts	Watts	Base	Certificate
12	35/35	P45T	CE/RoHS
12	50/50	P45T	CE/RoHS

Available: Clear, Golden and Super White.

Applicable models: The headlight of the early VW Beetles and Porsches that have been converted, military vehicles.



PS 083

Auxiliary Bulb

T5



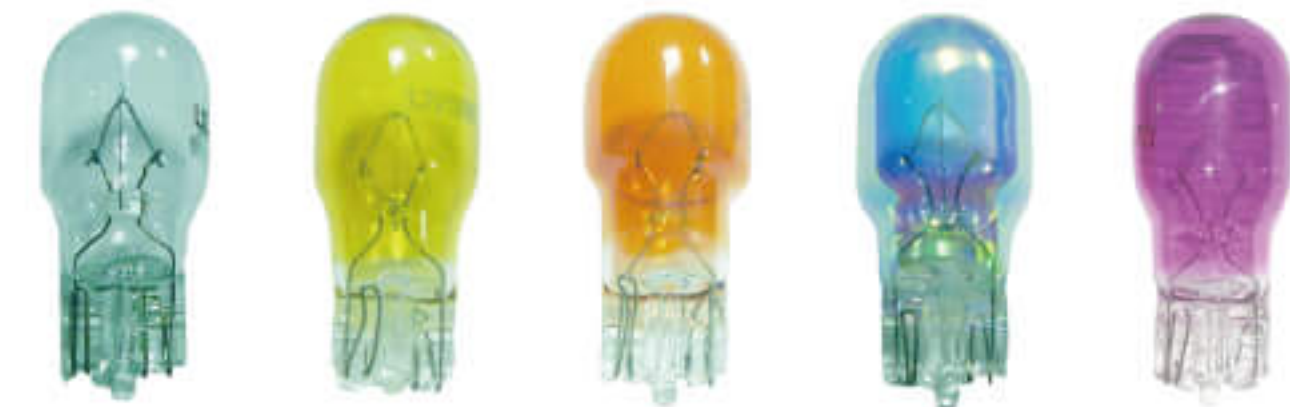
T6.5



T10



T13



T15



T20



G18



S25



T8 SV8.5



3156/3157



HID Lights

The color temperature of xenon bulb is up to 6000k. Compared with traditional 3200k halogen bulb, it is more close to sunlight.

The average life span of xenon lamp is up to 3000 hours. It offers lower failure rate. Saves the maintenance costs such as replace or repair at the same time.



MOTORCYCLE HID



Motorcycle Integration HID F1



Motorcycle Integration HID

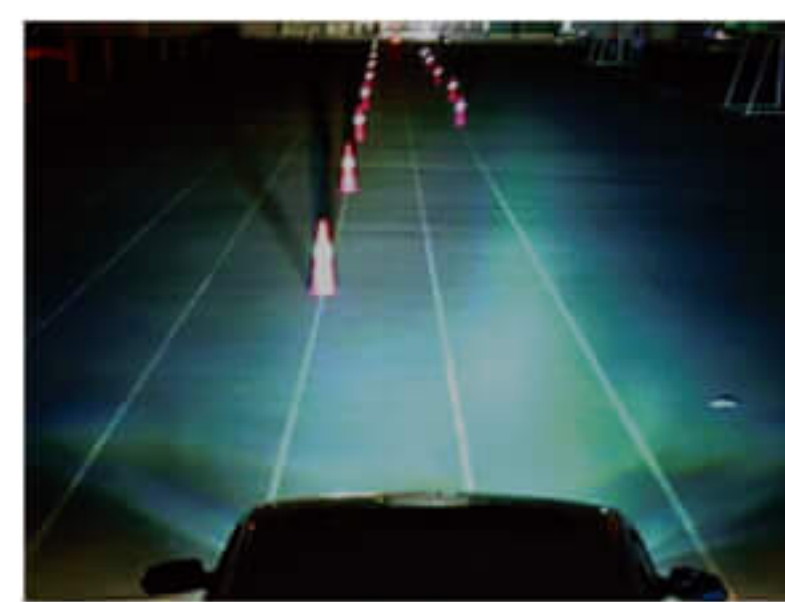


Motorcycle HID with Xenon and Halogen Bulbs

CAR HID



XENON LIGHT



HALOGEN LIGHT



D2R



D2C



D2S



D4S



D4R



D1S



H1



H3



H7



H8/H9/H11



9006



9005

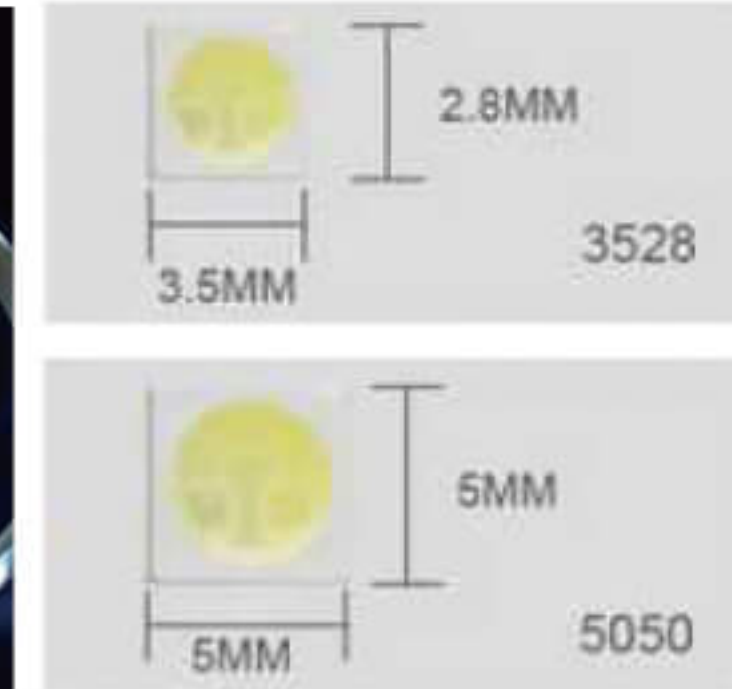
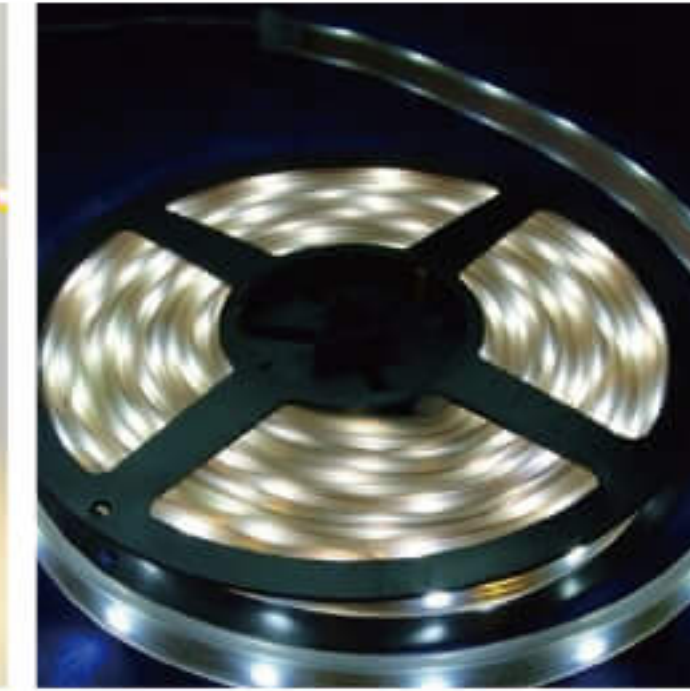
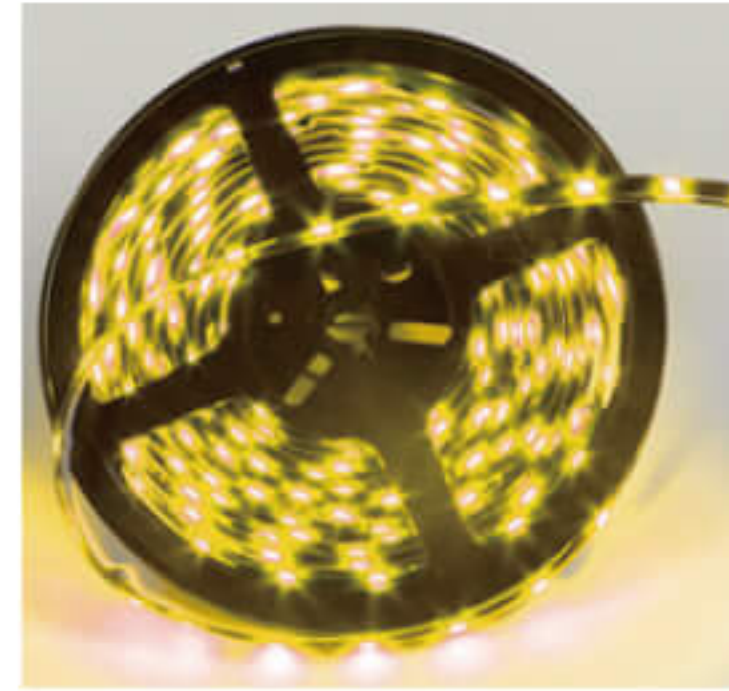


H4 Hi-low

LED Lights

PLATE LIGHTS SERIES

- 1.THE VOLTAGE:DC12V/24V
- 2.COLORS:white, boue, yellow, red, green, colorful, purple
- 3.QTY:100pcs
- 4.LED QUANTITY:
60pcs/meter, 120pcs/meter
- 5.MEAS:49x41x26.5M



Product Description

Machinery Equipment

5M5050-300 SMD

5M5050-300 SMD

Chip distinguish



3528-5M-300LED



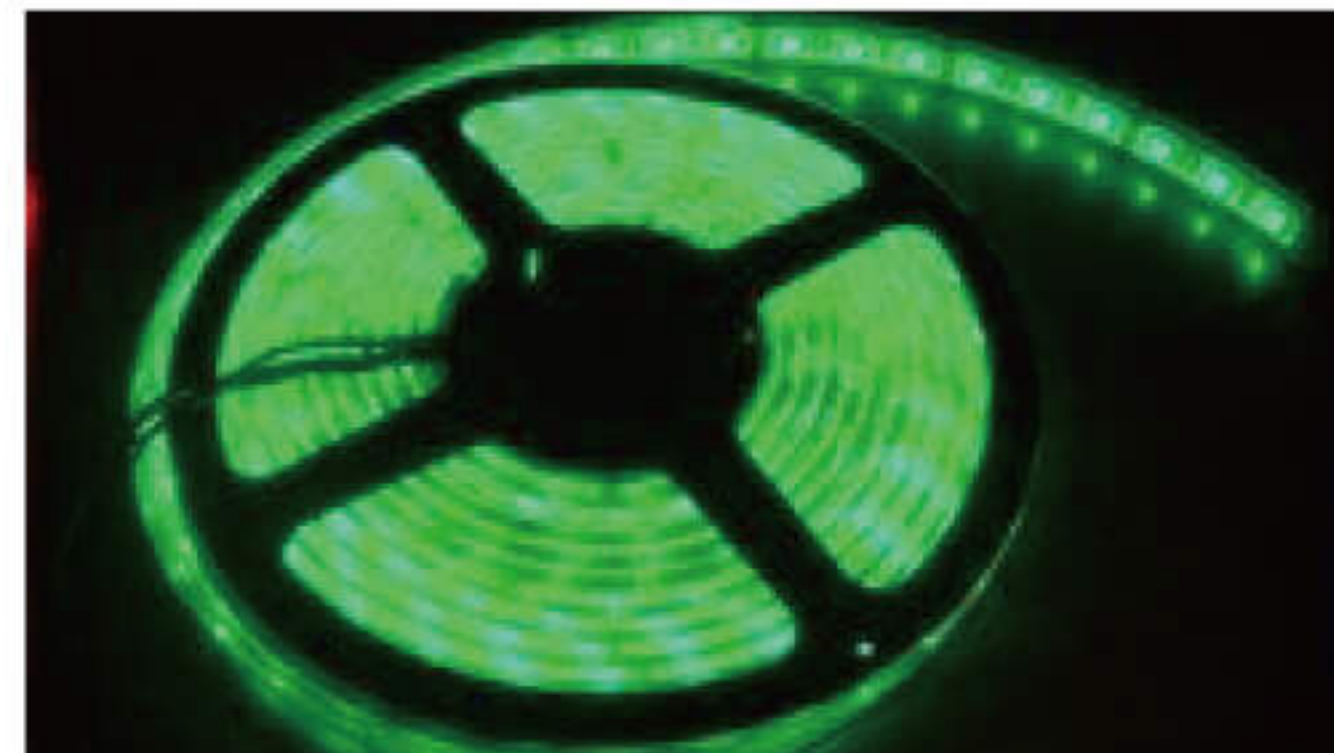
5050-5M-150LED



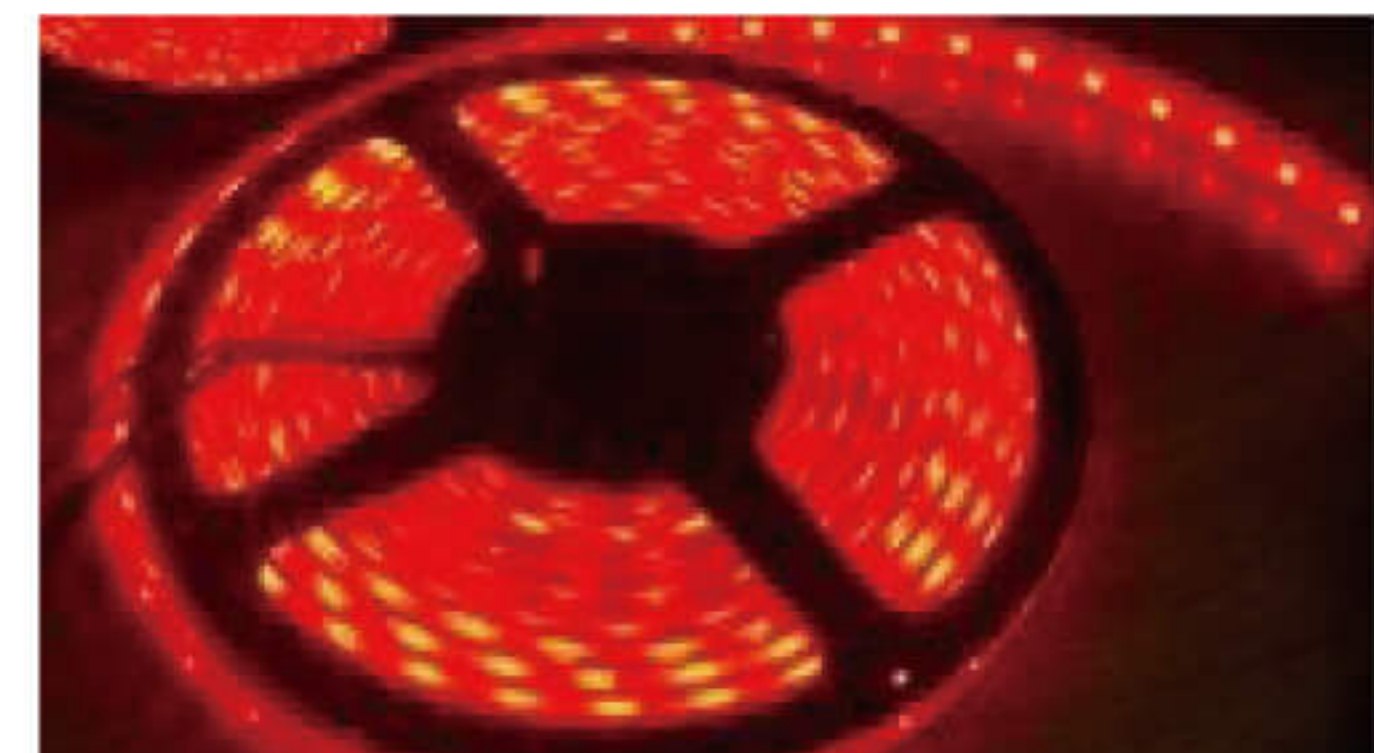
300 SMD-5M



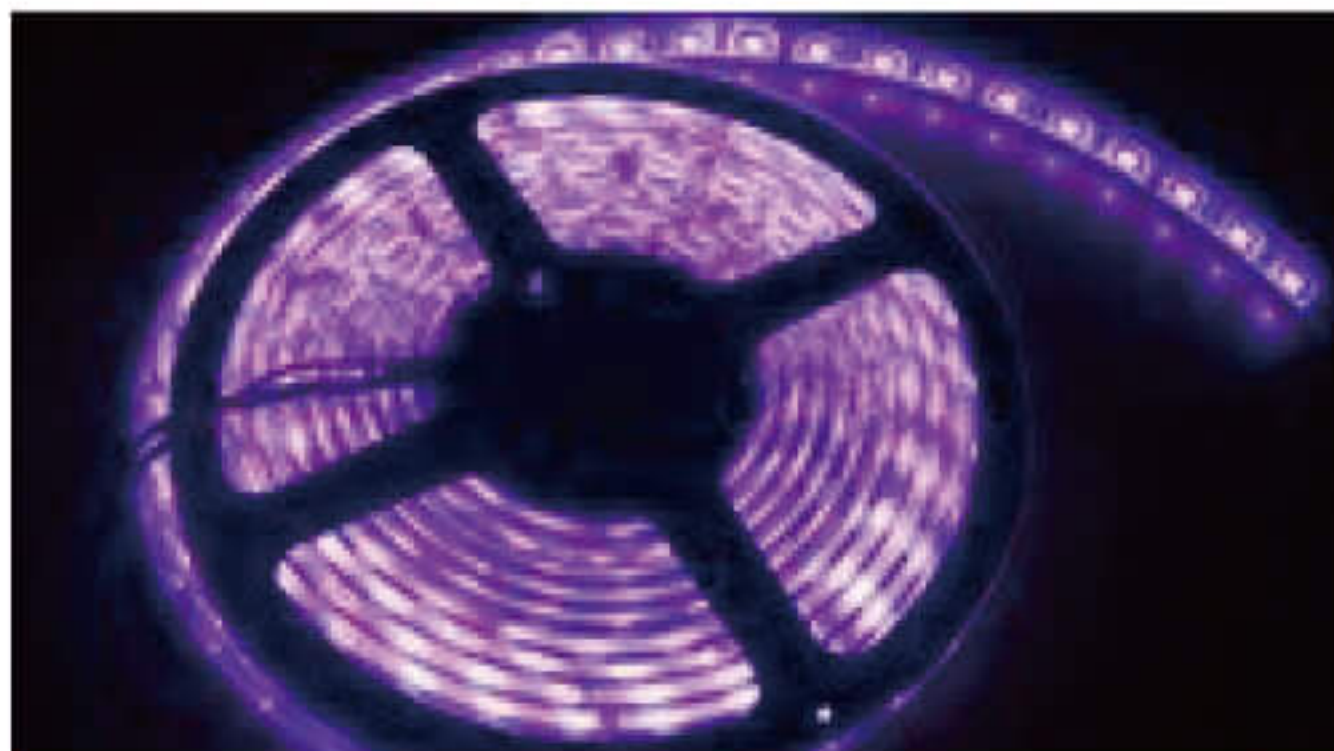
YELLOW 5M



GREEN 5M



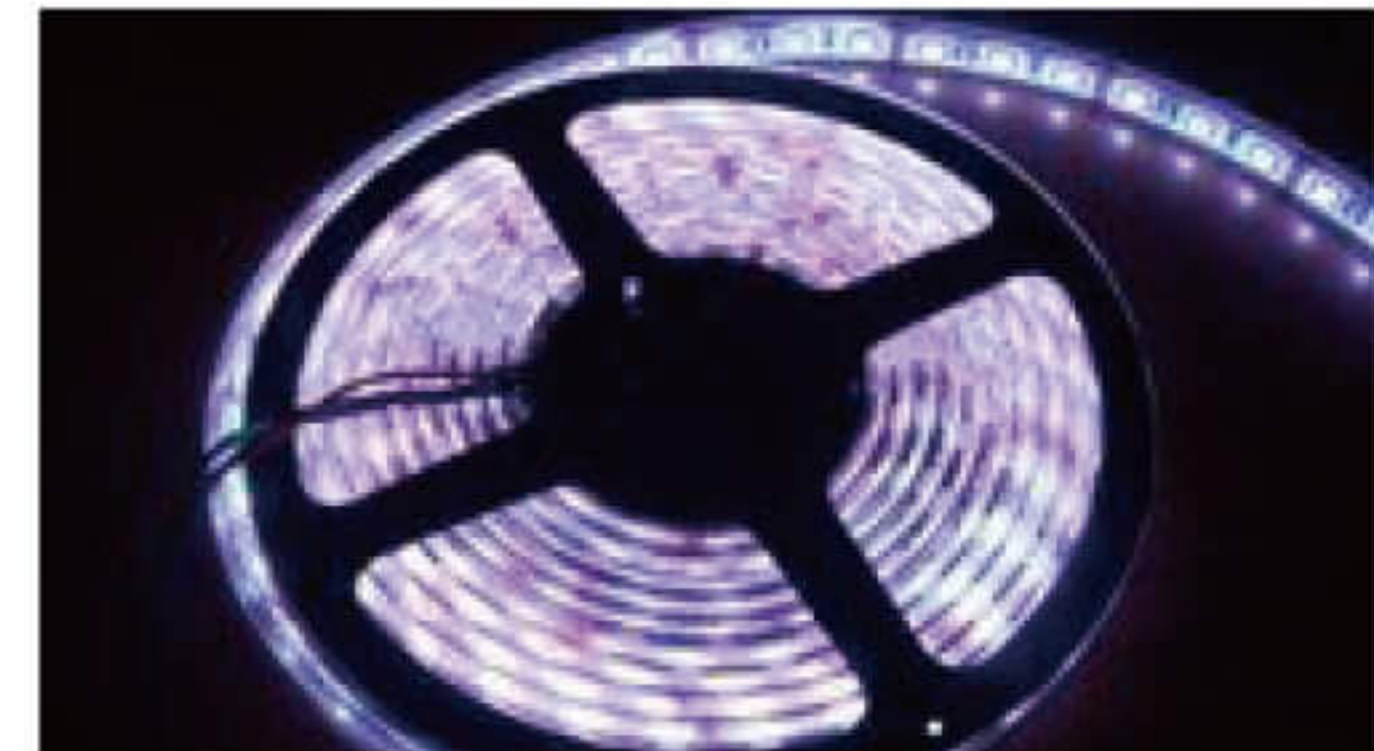
RED 5M



PURPLE 5M



BLUE 5M



WHITE 5M

WALL LAMP SERIES



- 1.THE VOLTAGE:DC12V/24V
- 2.COLORS:white, boue, yellow, red, green, colorful
- 3.QTY:200pcs
- 4.LENGTH:24CM, 48CM, 72CM, 96CM, 120CM
- 5.MEAS:61x42x31CM

Product Description



SOFT LIGHT SERIES



5050-30CM-15SMD

3528-30CM-12SMD

3528-60CM-60SMD

3528-90CM-90SMD

3528-30CM-12SMD
Black group

8016 Flash

5050-60CM-30SMD

SIDE INDICATORS



T5

LUMEN:20LM T5B-5050-1SMD
LUMEN:15LM T5B-3528-3SMDRS-08A CONCAVE LENS 1W
LUMEN 95LMT10-5050-5SMD
LUMEN 100LMT10-5050-9SMD
LUMEN 180LMT10-3020-26SMD
LUMEN 130LM

BRAKE LIGHTS AND TURN LIGHTS

1156.1157-4+1-7.5W
POWER:7.5WT15-4+1-7.5W
POWER:7.5WT15-5W
POWER:5W1156.1157-5050-13SMD
LUMEN 260LM

T18-f5-9LED

T20-5050-18SMD
LUMEN 360LM3157-3630-12SMD&CREE
LUMEN 590LM618-3528-9SMD
LUMEN 45LM

1156.1157-f5-24LED



1156.1157-f5-12LED

T20-5050-18SMD
LUMEN 360LM1156.1157-5050-27SMD
LUMEN 540LM

FESTOON LIGHTS

SJ-HP-2SMD
POWER:1WSJ-5050-3SMD
LUMEN 60LMSJ-5050-6SMD B
LUMEN 120LMSJ-5030-12SMD B
LUMEN 480LMSJ-3528-15SMD
LUMEN 75LMG4-5050-15SMD A
LUMEN 300LM

DOME LIGHTS

SR-5050-12SMD
LUMEN 240LMSR-5050-30SMD
LUMEN 600LMSR-3528-30SMD KIA
LUMEN 150LMSR-COB-24SMD A
LUMEN 168LMSR-COB-48SMD
LUMEN 336LMSR-3020-66SMD
LUMEN 330LM

FOG LIGHTS SERIES



H1-5050-18SMD
LUMEN:360LM



H1-5050-12SMD
LUMEN:240LM



H1-5050-27SMD
LUMEN 540LM



H1-5050-213SMD B
LUMEN 260LM



H1-4+1 7.5LENS
POWER:7.5W



H3-5050-9SMD
LUMEN 180LM



H1-4+1 7.5LENS
POWER:7.5W



H1-4+1 7.5LENS
POWER:7.5W



H3-8+1
LUMEN 430LM



H4-5050-13SMD
LUMEN 260LM



H4-5630-13SMD
LUMEN 520LM



H4-4+1 7.5W
POWER:7.5W



H4-COB-20W
POWER:20W



H4-3020-68SMD
LUMEN:34LM



H4-10SMD-50W
POWER:50W



H4-6SMD-30W
POWER:30W



H7-5050-18SMD
LUMEN 360LM



H7-4+1 LEUS
POWER:7.5W



H7-3020-50SMD
LUMEN:250LM



H8.H11-5050-18SMD
LUMEN:360LM



H11-7.5W
POWER:7.5W



H11-f5-36LED



H11.H8-5630-12SMD&1HP
LUMEN 590LM



9005.9006-6SMD-30W
POWER:30W



9005.9006-7.5W
POWER:7.5W



9005-9006-COB-20W
POWER:20W



9005.9006-5050-12SMD
LUMEN 360LM



9005.9006-10SMD-50W
POWER:50W



156.1157-5050-40SMD
LUMEN 800LM



1156.1157-5050-18SMD B
LUMEN 360LM

DAYTIME RUNNING LIGHTS & HIGH POWER LAMP



Daytime Running Lights
 PS-D048 Size:325x30x22MM



Daytime Running Lights
 PS-D034 Size:10x16x42MM



Daytime Running Lights
 PS-D013 Size:25X20MM



High Power Lamp
 PS-G04-F-XML



High Power Lamp
 PS-G09-F-LM



High Power Lamp
 PS-G14-y-LM

PS-C72W
 SP-XBD
 POWER:72W
 SIZE:302x73x107



PS-C162W
 SP-XBD
 POWER:162W
 SIZE:642x73x107



PS-C216W
 SP-XBD
 POWER:216W
 SIZE:846x73x107



PS-C288W
 SP-XBD
 POWER:288W
 SIZE:1118x73x107



ANGEL EYE SERIES

Equipped with imported patch LED ensure our angel eye lamp ring with long life span(5000 hours), color consistency, high brightness, light penetration, wide radiation angle, low power consumption. With advanced SMT process, our products are of high density of emissions, increased irradiation area light source, good aperture forming effect.



PURPLE



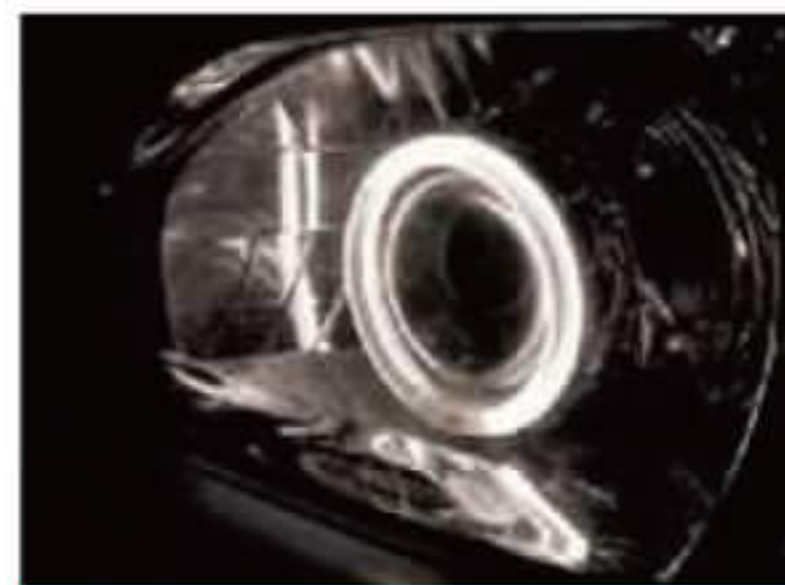
GREEN



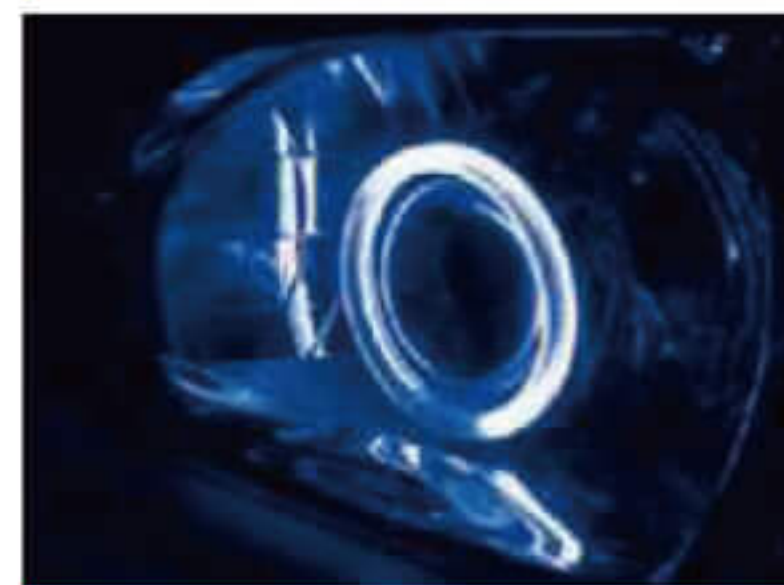
RED



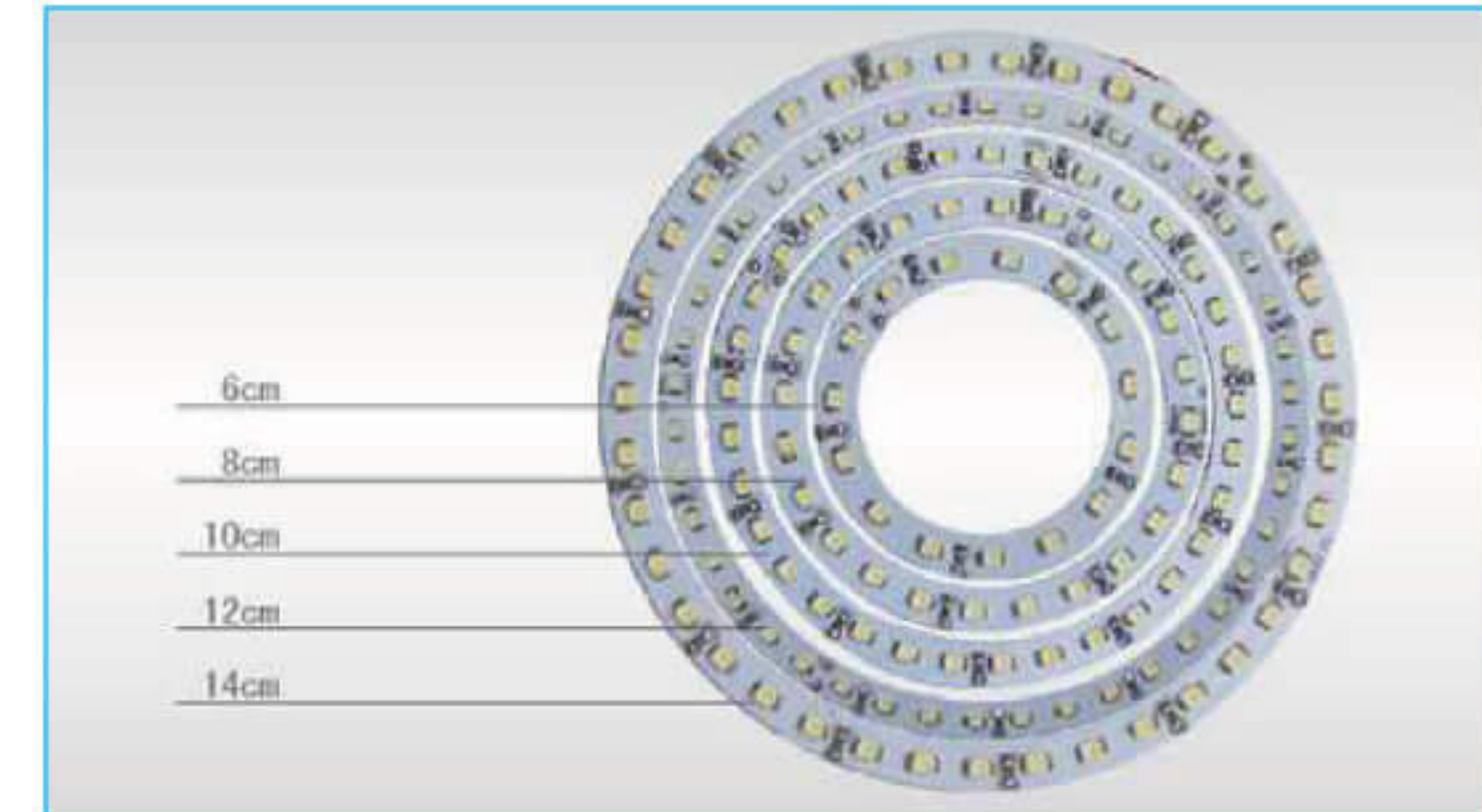
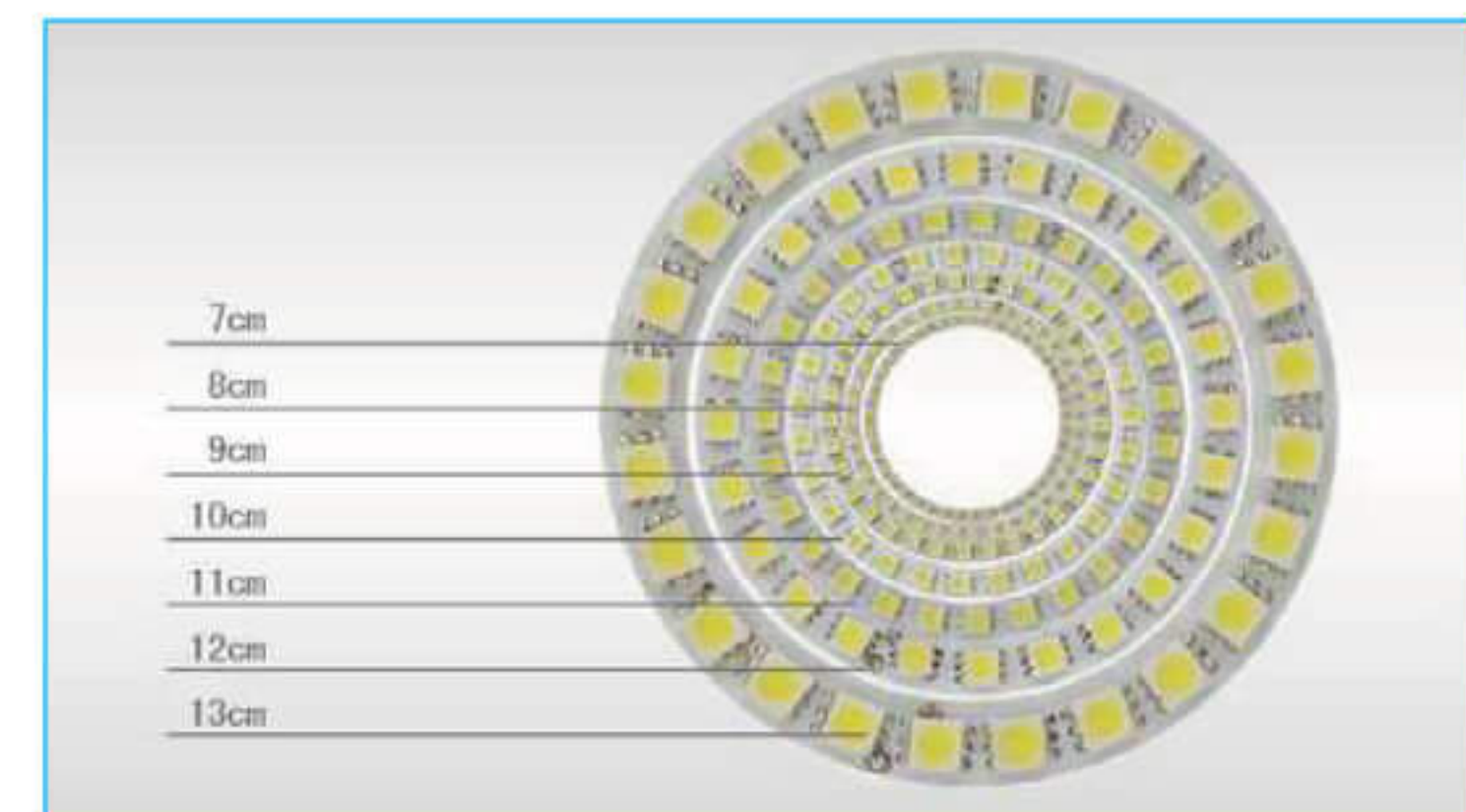
YELLOW



WHITE



BLUE



Lamps & Lanterns



CG125 Headlight-1



CG125 Headlight-2



CG125 Tail Light-1



CG125 Tail Light-2



CG125 Turn Light-1



CG125 Turn Light-2



AX100 Headlight



AX100 Tail Light



AX100 Turn Light-1



AX100 Turn Light-2



BAJAJ150 Headlight



BAJAJ150 Turn Light



TITAN150 Headlight



TITAN150 Turn Light



GN125 Headlight-1



GN125 Headlight-2



GN125 Tail Light



GN125 Turn Light-1



GN125 Turn Light-2



FZ16 Headlight



FZ16 Tail Light



FZ16 Turn Light



YBR125 Headlight



YBR125 Turn Light-1



YBR125 Turn Light-2



CT100 Headlight



CT100 Tail Light



CT100 Turn Light



H3 Mini Sun Lamp-Clear



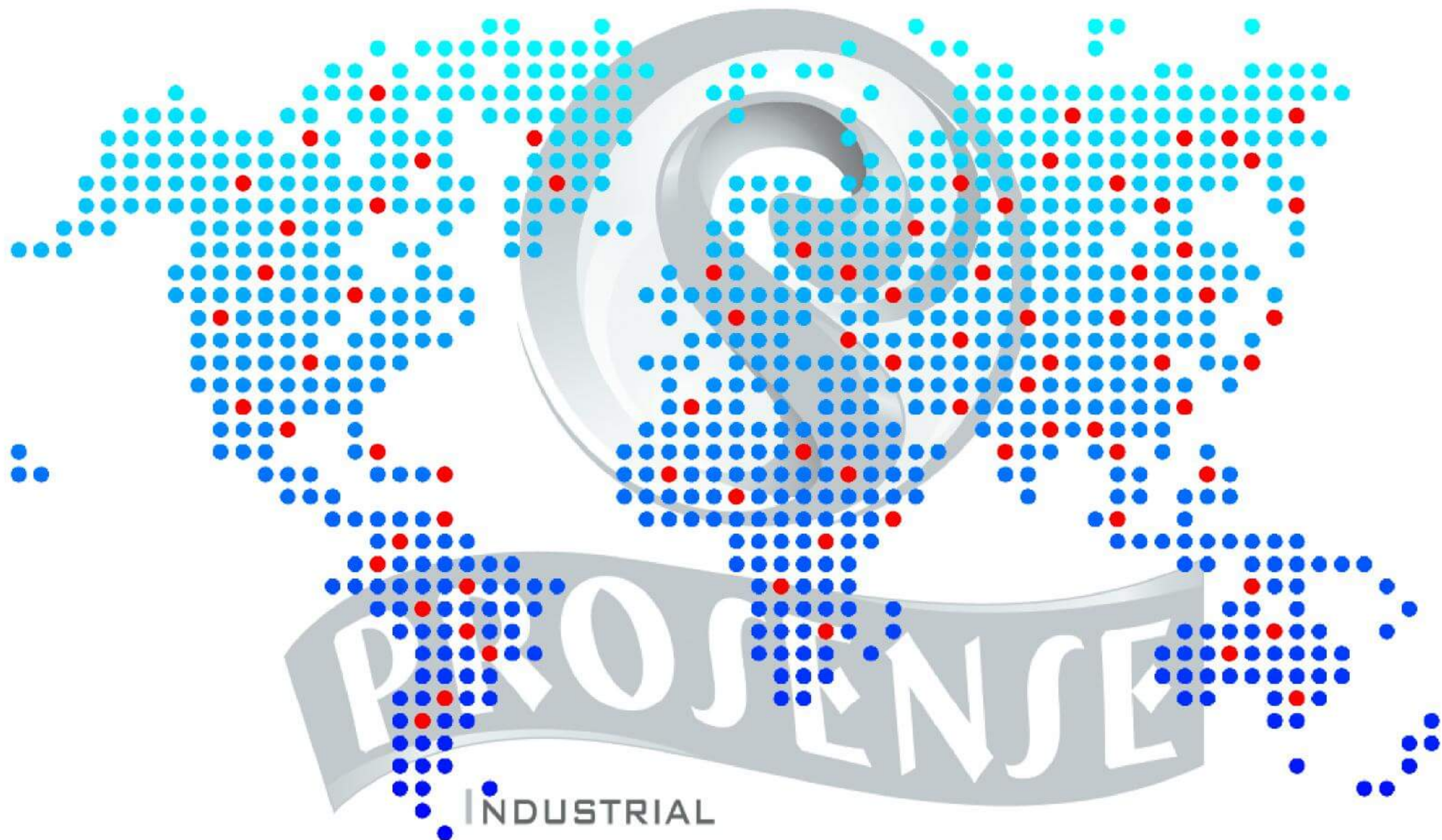
H3 Mini Sun Lamp-Blue

PACKAGE OF CAR BULB



PACKAGE OF MOTORCYCLE BULB





Business Market

